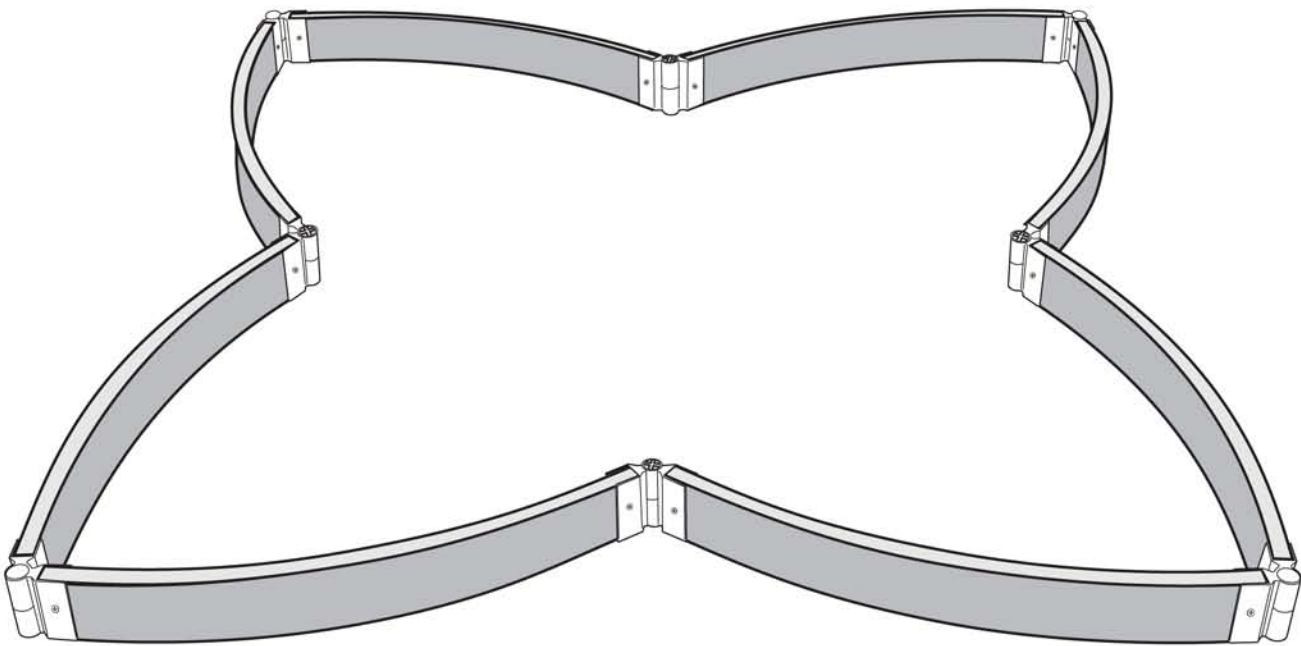


# Four Leaf Clover



**The Four Leaf Clover kit contains:**

- 8 Curved Timbers
  - 4 Stacking Joints (2 pack)
- \*\* Solar lights sold separately*

## Introducing the 'Frame-It-All' Four Leaf Clover

For general assembly you can find the instructions in the 2 Pack of Frame-it-all joints.

### ECO-friendly

The framework utilizes our Curved Composite Plastic Timbers. Manufactured from 40% wood fiber and 60% recycled polyethylene, the Eco-friendly durable composite wood grain plastic timbers never rot, warp or splinter. The cut to size timbers connect to brackets with our patented Stacking Joints stakes.

### Dimensions:

10.5' x 10.5' area

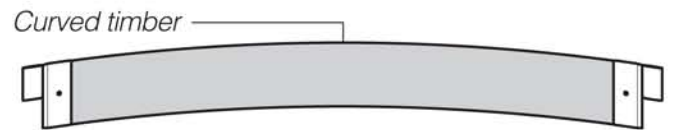
### Installation Notes:

Before starting to assemble the Four Leaf Clover, refer to the parts diagram to understand how to screw the brackets onto the timbers. Remove the Stacking joints from the plastic bags and lay out the parts. Each of the joints comprises a stake and two brackets plus screws needed.

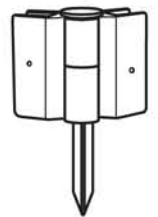
### Tools Needed:

- Phillips head screwdriver (electrical or battery operated preferred)
- Hammer

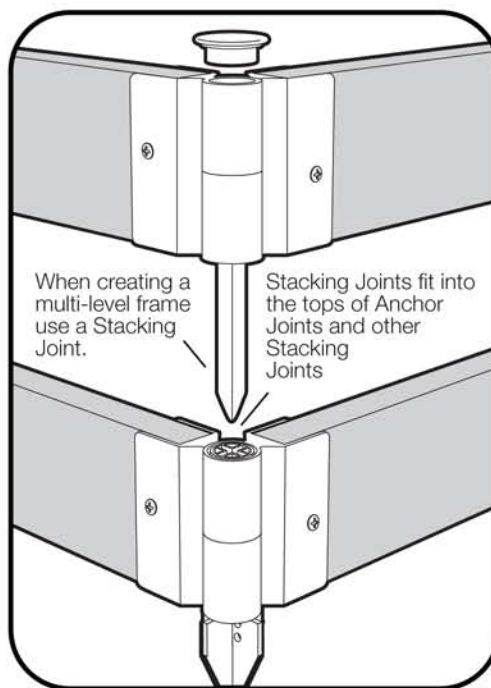
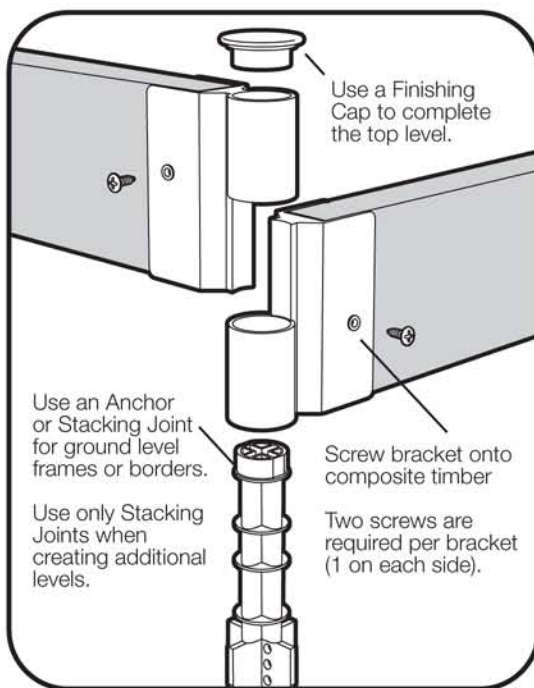
### Parts Identification



Stacking Joint



### How the Joints Work



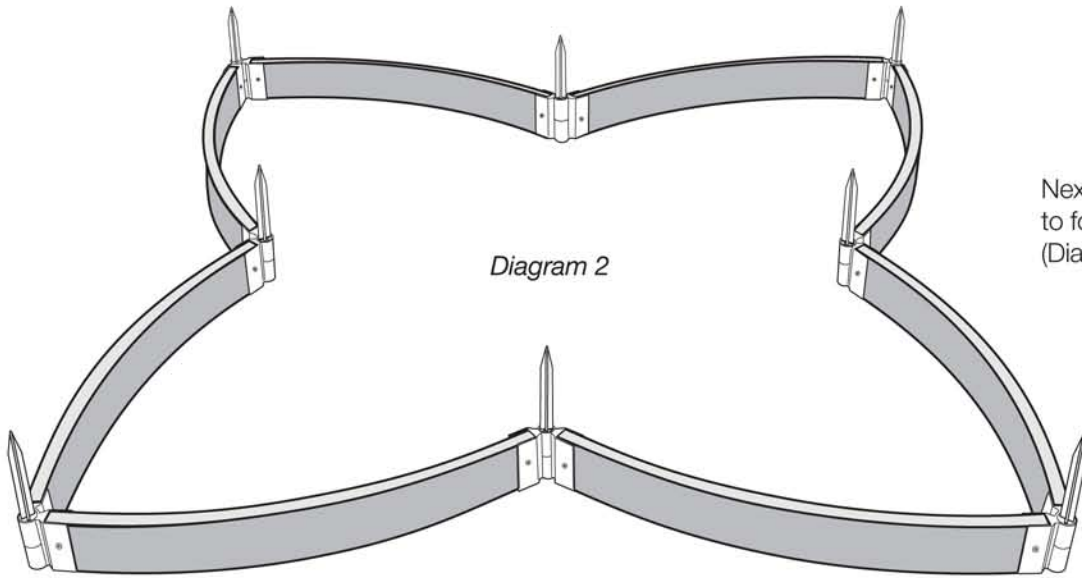
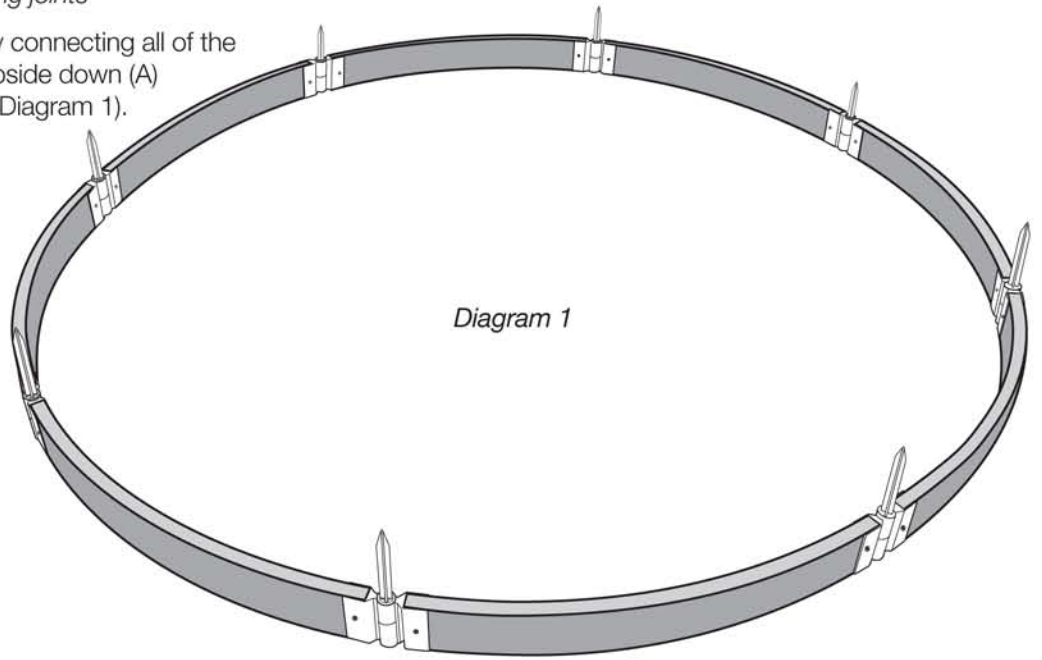
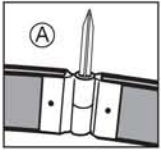
### Special Installations:

Connect brackets parallel to all 8 curved timbers as shown in Parts Identification (P) above.

**Level one (diagrams 1, 2 & 3)**

Materials: 8 curved timbers, 8 stacking joints

Shape adjustment: Create a circle by connecting all of the bracketed timbers with the stakes upside down (A) so the timbers can be angled easily (Diagram 1).



Next, push in every other timber to form a four-leaf clover shape (Diagram 2).

Once the desired position is achieved, turn stake fins facing down and hammer stakes through bracket tubes into ground (Diagram 3). For additional levels, just stack timbers using stacking joints.

